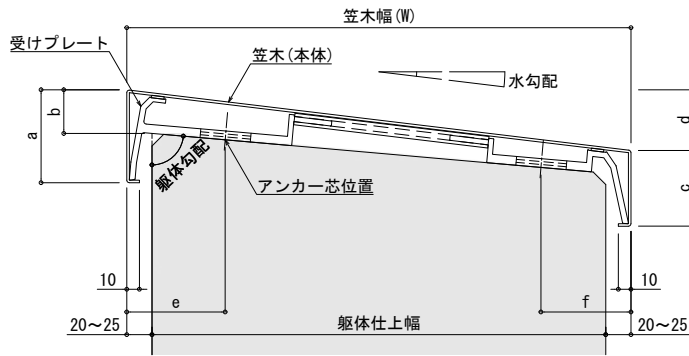


# 躯体勾配対応笠木 (板材) [ワイド笠木]

## 製品規格

※受注生産品

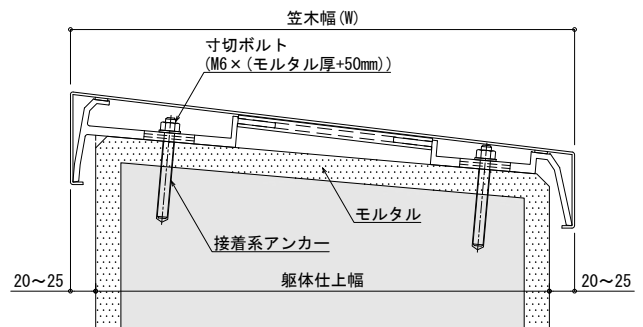
SL-K400M  
SL-K450M  
SL-K500M  
SL-K550M  
SL-K600M



笠木 (本体) の定尺	mm	3000・2000
笠木 (本体) の肉厚	mm	2.0
受けの肉厚 (固定部)	mm	7.0
躯体仕上幅	mm	(W-40) 以下

製品型番	躯体勾配 (度)	水勾配 (度)	躯体仕上幅 (mm)							
			a	b	c	d	e	f		
SL-K400M 笠木幅 (W) 350 < W ≤ 400	89	2.86	73.1	32.9	60.0	20.0	75.7	74.3		
	88	3.86	73.2	33.3	60.0	27.0	76.3	73.6		
	87	4.87	73.4	33.8	60.1	34.0	76.9	72.9		
	86	5.88	73.5	34.2	60.1	41.1	77.5	72.2		
	85	6.88	73.7	34.6	60.2	48.1	78.0	71.4		
	84	7.90	73.9	35.1	60.3	55.2	78.6	70.6		
	83	8.93	74.1	35.6	60.4	62.4	79.1	69.8		
	82	9.95	74.4	36.1	60.5	69.5	79.6	69.0		
	81	11.0	74.7	36.6	60.6	76.7	80.0	68.2		
	80	12.0	75.0	36.9	60.8	84.0	80.5	67.3		
	79	13.1	75.3	37.7	61.0	91.3	80.9	66.4		
	78	14.1	75.6	38.3	61.2	98.7	81.3	65.5		
	77	15.2	76.0	38.9	61.4	106.1	81.6	64.6		
	76	16.3	76.4	39.5	61.6	113.6	81.9	63.7		
	75	17.4	76.8	40.1	61.9	121.2	82.2	62.7		
	SL-K450M 笠木幅 (W) 400 < W ≤ 450	89	2.64	73.1	33.3	60.0	20.8	75.5	74.5	
88		3.65	73.2	33.7	60.0	28.7	76.1	73.8		
87		4.66	73.4	34.2	60.1	36.6	76.7	73.1		
86		5.66	73.5	34.6	60.1	44.5	77.3	72.3		
85		6.68	73.7	34.9	60.2	52.5	77.8	71.6		
84		7.69	73.9	35.5	60.3	60.4	78.4	70.8		
83		8.72	74.1	36.0	60.4	68.5	78.7	70.2		
82		9.74	74.4	36.5	60.5	76.5	79.4	69.2		
81		10.8	74.7	37.1	60.6	84.6	79.8	68.4		
80		11.8	75.0	37.6	60.8	92.8	80.2	67.5		
79		12.9	75.3	38.9	61.0	101.0	80.6	66.7		
78		13.9	75.6	38.7	61.2	109.3	81.0	65.7		
77		15.0	76.0	39.3	61.4	117.6	81.4	64.8		
76		16.1	76.4	40.0	61.6	126.1	81.7	63.9		
75		17.1	76.8	40.5	61.9	134.6	81.9	63.0		
SL-K500M 笠木幅 (W) 450 < W ≤ 500		89	2.48	73.1	33.7	60.0	21.7	75.4	74.6	
	88	3.49	73.2	34.1	60.0	30.5	76.0	73.9		
	87	4.50	73.4	34.6	60.1	39.3	76.6	73.2		
	86	5.51	73.5	35.0	60.1	48.1	77.2	72.5		
	85	6.52	73.7	35.4	60.2	56.9	77.6	71.8		
	84	7.52	73.9	35.9	60.3	65.7	78.2	71.0		
	83	8.54	74.1	36.3	60.4	74.6	78.7	70.2		
	82	9.57	74.4	36.9	60.5	83.6	79.2	69.3		
	81	10.6	74.7	37.5	60.6	92.6	79.7	68.5		
	80	11.6	75.0	37.9	60.8	101.6	79.9	67.7		
	79	12.7	75.3	38.6	61.0	110.8	80.5	66.8		
	78	13.7	75.6	39.0	61.2	119.9	80.9	65.9		
	77	14.8	76.0	39.7	61.4	129.2	81.2	65.0		
	76	15.9	76.4	40.0	61.6	138.6	81.5	64.1		
	75	17.0	76.8	40.8	61.9	148.0	81.9	63.0		
	SL-K550M 笠木幅 (W) 500 < W ≤ 550	89	2.35	73.1	34.0	60.0	22.6	75.3	74.7	
88		3.35	73.2	34.3	60.0	32.2	75.9	74.0		
87		4.35	73.4	34.8	60.1	41.8	76.5	73.3		
86		5.36	73.5	35.2	60.1	51.5	77.1	72.6		
85		6.37	73.7	35.5	60.2	61.2	77.4	71.9		
84		7.38	73.9	36.1	60.3	70.9	78.1	71.1		
83		8.40	74.1	36.6	60.4	80.7	78.6	70.3		
82		9.43	74.4	37.2	60.5	90.6	79.1	69.5		
81		10.5	74.7	37.7	60.6	100.4	79.5	68.7		
80		11.5	75.0	38.1	60.8	110.4	79.8	67.8		
79		12.5	75.3	38.6	61.0	120.4	80.4	66.9		
78		13.6	75.6	39.3	61.2	130.5	80.7	66.1		
77		14.7	76.0	40.0	61.4	140.7	81.0	65.2		
76		15.7	76.4	40.6	61.6	151.0	81.4	64.2		
75		16.8	76.8	41.0	61.9	161.4	81.5	63.4		
SL-K600M 笠木幅 (W) 550 < W ≤ 600		89	2.24	73.1	34.2	60.0	23.5	75.2	74.7	
	88	3.24	73.2	34.6	60.0	34.0	75.8	74.1		
	87	4.24	73.4	35.1	60.1	44.5	76.4	73.4		
	86	5.25	73.5	35.4	60.1	55.0	77.0	72.7		
	85	6.26	73.7	35.8	60.2	65.6	77.5	71.8		
	84	7.27	73.9	36.4	60.3	76.2	78.0	71.2		
	83	8.29	74.1	36.9	60.4	86.9	78.5	70.4		
	82	9.32	74.4	37.4	60.5	97.6	79.0	69.6		
	81	10.4	74.7	38.0	60.6	108.4	79.4	68.8		
	80	11.4	75.0	38.3	60.8	119.3	79.9	67.9		
	79	12.4	75.3	39.1	61.0	130.2	80.2	67.0		
	78	13.5	75.6	39.6	61.2	141.2	80.6	66.2		
	77	14.5	76.0	40.3	61.4	152.3	80.9	65.3		
	76	15.6	76.4	40.9	61.6	163.5	81.2	64.3		
	75	16.7	76.8	41.1	61.9	174.8	81.6	63.3		

### [躯体モルタル厚が厚い場合の注意点]



- △ 改修工事の場合、躯体強度が落ちるため、アンカーは接着系アンカーとして下さい
- △ モルタル厚が厚い場合は、モルタルを研るかコンクリート部分へのアンカーの埋込深さを確保出来る納まりとして下さい

笠木

アルフラッタ

水切

下端見切

ガードウォール

ウォーターカット

棟上導体システム

参考納まり図

梱包仕様