

<BIM 製品データ>

SL-50T

クリアランス : 50

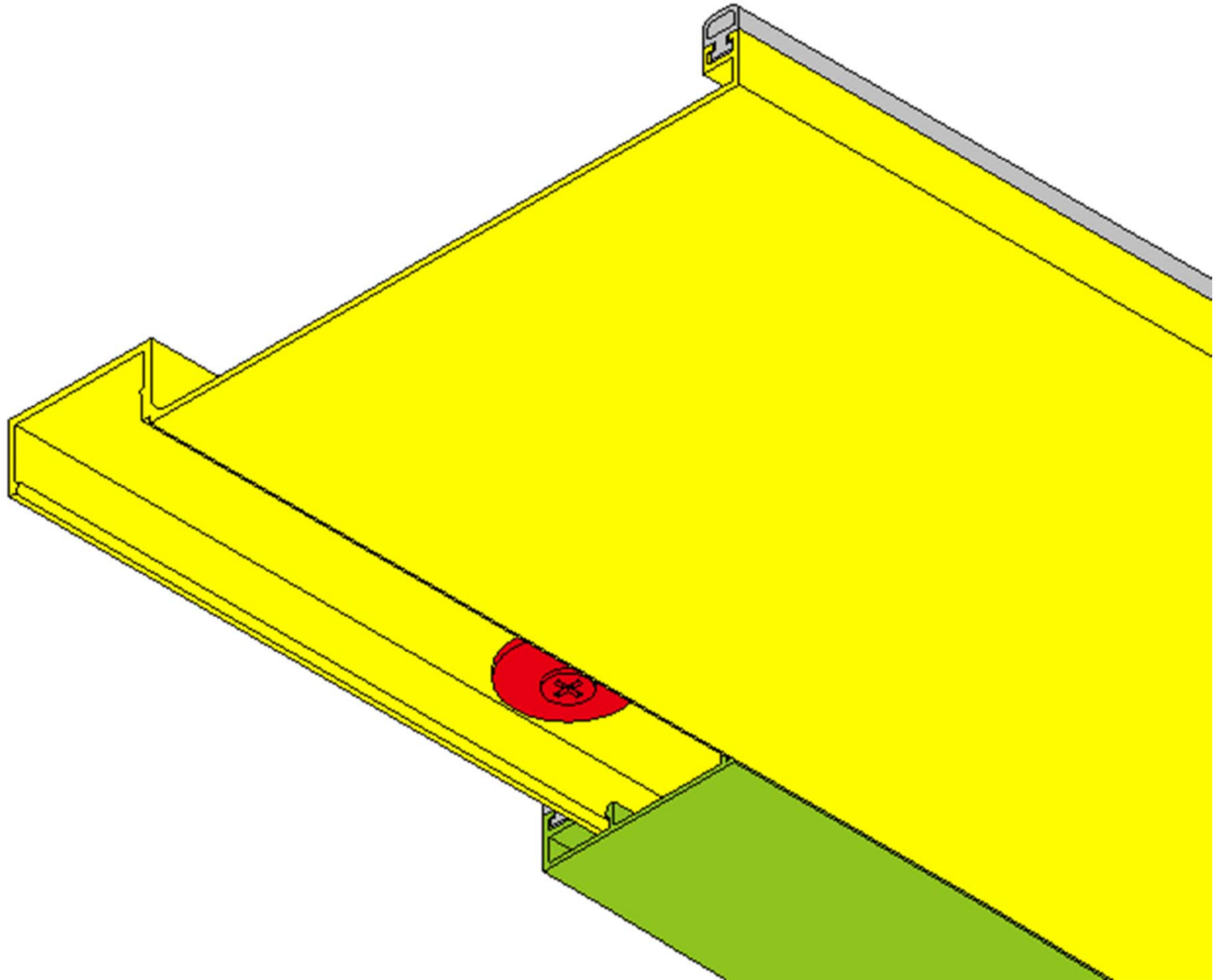
可動量 X : +55mm -50mm

Y : ±フリー

Z : +フリー -30mm

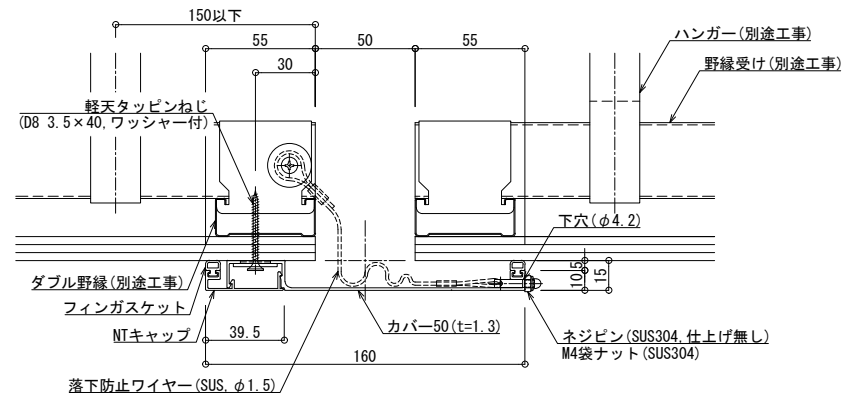
LOD250

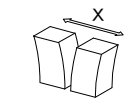
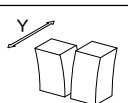
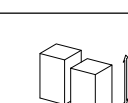
A 3D perspective view of a grey rectangular component with a notch on its top surface. The component is shown in a position where it is partially inserted into a slot. A thin, semi-transparent layer is visible between the component and the slot walls, representing a clearance. A coordinate system is indicated by three vertical lines extending upwards from the top surface of the component, defining the X, Y, and Z axes for its movement range.



LOD400

■	天井 - 天井	SL-50T	種別：アルミ	固定ピッチ： @ ≤ 560 mm	S= 1:2
---	---------	--------	--------	----------------------	--------



可動図	可動量
	+55mm -50mm
	+フリー -フリー
	+フリー -30mm

制定: 2017.9.20  
 改定: 2023.01.10