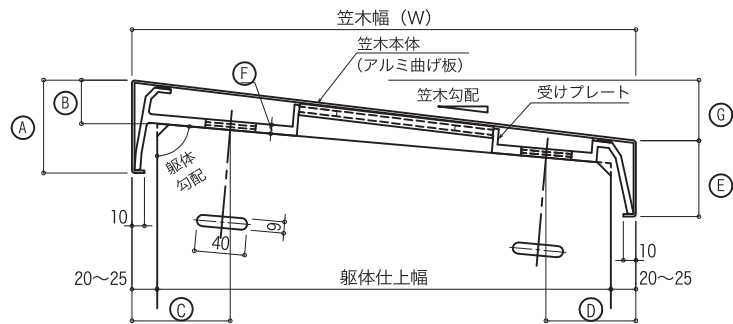


笠木

躯体勾配対応笠木（板材）

※受注生産

笠木定尺	4m、3m
笠木本体の肉厚	2.0
躯体仕上幅	(W-40) 以下
受けの肉厚(固定部) ⑦	7.0



笠木

笠木幅 (W)	躯体勾配	笠木水勾配	躯体仕上幅 (mm)						
			(A)	(B)	(C)	(D)	(E)	(G)	
350 < W ≤ 400	89°	2.86°	73.1	32.9	75.7	74.3	60	20	
	88°	3.86°	73.2	33.3	76.3	73.6	60	27	
	87°	4.86°	73.4	33.8	76.9	72.9	60.1	34	
	86°	5.86°	73.5	34.2	77.5	72.2	60.1	41.1	
	85°	6.86°	73.7	34.6	78	71.4	60.2	48.1	
	84°	7.86°	73.9	35.1	78.6	70.6	60.3	55.2	
	83°	8.86°	74.1	35.6	79.1	69.8	60.4	62.4	
	82°	9.86°	74.4	36.1	79.6	69	60.5	69.5	
	81°	10.86°	74.7	36.6	80	68.2	60.6	76.7	
	80°	11.86°	75	36.9	80.5	67.3	60.8	84	
	79°	12.86°	75.3	37.7	80.9	66.4	61	91.3	
	78°	13.86°	75.6	38.3	81.3	65.5	61.2	98.7	
	77°	14.86°	76	38.9	81.6	64.6	61.4	106.1	
	76°	15.86°	76.4	39.5	81.9	63.7	61.6	113.6	
	75°	16.86°	76.8	40.1	82.2	62.7	61.9	121.2	
400 < W ≤ 450	89°	2.65°	73.1	33.3	75.5	74.5	60	20.8	
	88°	3.65°	73.2	33.7	76.1	73.8	60	28.7	
	87°	4.65°	73.4	34.2	76.7	73.1	60.1	36.6	
	86°	5.65°	73.5	34.6	77.3	72.3	60.1	44.5	
	85°	6.65°	73.7	34.9	77.8	71.6	60.2	52.5	
	84°	7.65°	73.9	35.5	78.4	70.8	60.3	60.4	
	83°	8.65°	74.1	36	78.7	70.2	60.4	68.5	
	82°	9.65°	74.4	36.5	79.4	69.2	60.5	76.5	
	81°	10.65°	74.7	37.1	79.8	68.4	60.6	84.6	
	80°	11.65°	75	37.6	80.2	67.5	60.8	92.8	
	79°	12.65°	75.3	38.9	80.6	66.7	61	101	
	78°	13.65°	75.6	38.7	81	65.7	61.2	109.3	
	77°	14.65°	76	39.3	81.4	64.8	61.4	117.6	
	76°	15.65°	76.4	40	81.7	63.9	61.6	126.1	
	75°	16.65°	76.8	40.5	81.9	63	61.9	134.6	
450 < W ≤ 500	89°	2.49°	73.1	33.7	75.4	74.6	60	21.7	
	88°	3.49°	73.2	34.1	76	73.9	60	30.5	
	87°	4.49°	73.4	34.6	76.6	73.2	60.1	39.3	
	86°	5.49°	73.5	35	77.2	72.5	60.1	48.1	
	85°	6.49°	73.7	35.4	77.6	71.8	60.2	56.9	
	84°	7.49°	73.9	35.9	78.2	71	60.3	65.7	
	83°	8.49°	74.1	36.3	78.7	70.2	60.4	74.6	
	82°	9.49°	74.4	36.9	79.2	69.3	60.5	83.6	
	81°	10.49°	74.7	37.5	79.7	68.5	60.6	92.6	
	80°	11.49°	75	37.9	79.9	67.7	60.8	101.6	
	79°	12.49°	75.3	38.6	80.5	66.8	61	110.8	
	78°	13.49°	75.6	39	80.9	65.9	61.2	119.9	
	77°	14.49°	76	39.7	81.2	65	61.4	129.2	
	76°	15.49°	76.4	40	81.5	64.1	61.6	138.6	
	75°	16.49°	76.8	40.8	81.9	63	61.9	148	
500 < W ≤ 550	89°	2.35°	73.1	34	75.3	74.7	60	22.6	
	88°	3.35°	73.2	34.3	75.9	74	60	32.2	
	87°	4.35°	73.4	34.8	76.5	73.3	60.1	41.8	
	86°	5.35°	73.5	35.2	77.1	72.6	60.1	51.5	
	85°	6.35°	73.7	35.5	77.4	71.9	60.2	61.2	
	84°	7.35°	73.9	36.1	78.1	71.1	60.3	70.9	
	83°	8.35°	74.1	36.6	78.6	70.3	60.4	80.7	
	82°	9.35°	74.4	37.2	79.1	69.5	60.5	90.6	
	81°	10.35°	74.7	37.7	79.5	68.7	60.6	100.4	
	80°	11.35°	75	38.1	79.8	67.8	60.8	110.4	
	79°	12.35°	75.3	38.6	80.4	66.9	61	120.4	
	78°	13.35°	75.6	39.3	80.7	66.1	61.2	130.5	
	77°	14.35°	76	40	81	65.2	61.4	140.7	
	76°	15.35°	76.4	40.6	81.4	64.2	61.6	151	
	75°	16.35°	76.8	41	81.5	63.4	61.9	161.4	
550 < W ≤ 600	89°	2.24°	73.1	34.2	75.2	74.7	60	23.5	
	88°	3.24°	73.2	34.6	75.8	74.1	60	34	
	87°	4.24°	73.4	35.1	76.4	73.4	60.1	44.5	
	86°	5.24°	73.5	35.4	77	72.7	60.1	55	
	85°	6.24°	73.7	35.8	77.5	71.8	60.2	65.6	
	84°	7.24°	73.9	36.4	78	71.2	60.3	76.2	
	83°	8.24°	74.1	36.9	78.5	70.4	60.4	86.9	
	82°	9.24°	74.4	37.4	79	69.6	60.5	97.6	
	81°	10.24°	74.7	38	79.4	68.8	60.6	108.4	
	80°	11.24°	75	38.3	79.9	67.9	60.8	119.3	
	79°	12.24°	75.3	39.1	80.2	67	61	130.2	
	78°	13.24°	75.6	39.6	80.6	66.2	61.2	141.2	
	77°	14.24°	76	40.3	80.9	65.3	61.4	152.3	
	76°	15.24°	76.4	40.9	81.2	64.3	61.6	163.5	
	75°	16.24°	76.8	41.1	81.6	63.3	61.9	174.8	